

Connectors for Micro ISO Relays

Connectors in 3 different versions

■ PCB Socket

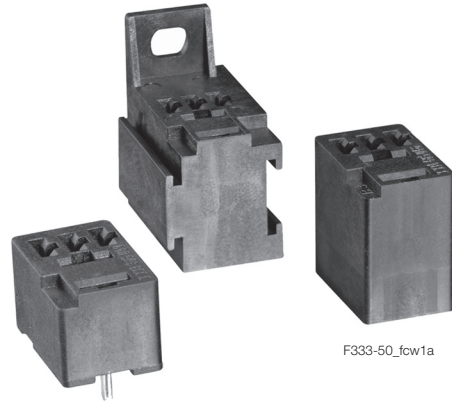
With the solderable connector Micro ISO relays with plug-in terminals can be mounted on leadframes. This allows easy and reasonable replacement in case of service.

■ Connector

5 pole connector with snap-in pin to lock in frame.

■ Connector with mounting flap

5 pole connector that can be mounted individually or interlocked. The connector has a snap-in pin to lock in frame. The mounting bracket also allows screw-on.



F333-50_fw1a

Technical Data

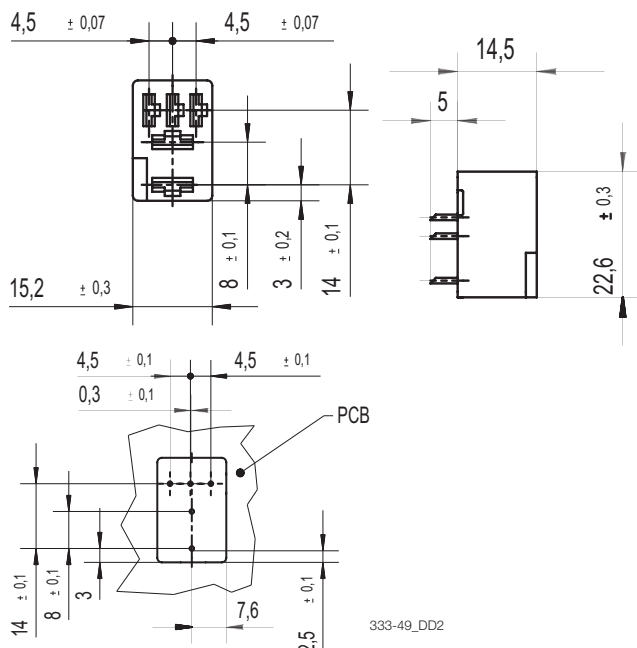
| | |
|--|------------------------|
| Weight | |
| PCB socket | approx. 5.9g (0.21oz) |
| Connector | approx. 5.4g (0.19oz) |
| Connector with mounting flap | approx. 11.9g (0.42oz) |
| Storage conditions | |
| according to IEC600688 ¹⁾ | |
| Packaging/unit | |
| PCB socket (V23333-Z0002-B049) | 800 pcs. |
| Connector (V23333-Z0001-B046) | 400 pcs. |
| Connector with mounting flap (V23333-Z1001-B045) | 150 pcs. |

¹⁾ For general storage and processing recommendations please refer to the Application Notes and especially to storage in our Definitions or at <http://relays.te.com/appnotes/>

Dimensions

PCB socket V23333-Z0002-B049

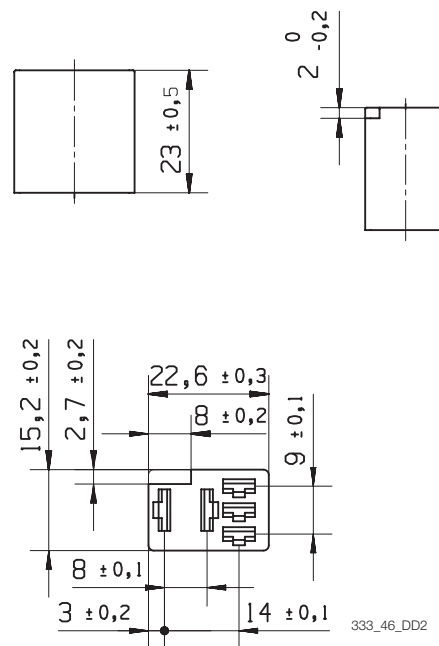
Mounting recommendation: to keep insertion force away from the PCB the soldering of the socket to the PCB should be done with already inserted relay.



333-49_DD2

Connector V23333-Z1001-B046

Terminals to be ordered separately.

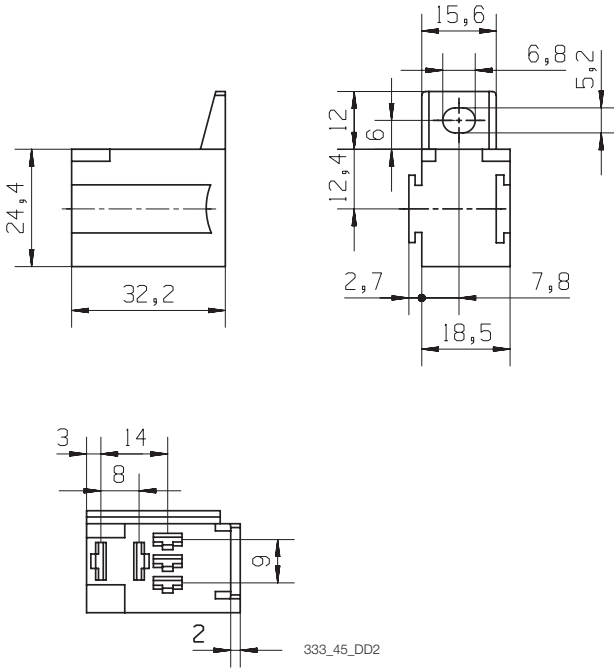


333_46_DD2

Connectors for Micro ISO Relays

Connector with mounting flap V23333-Z1001-B045

To be mounted individually or can be interlocked.
Terminals to be ordered separately.



| Part numbers for connectors | | Selection of fitting crimp terminals ¹⁾ (Ph. bronze tin plated) ²⁾ | | | | | | | |
|-----------------------------|-------------|--|----------------------|---------|-------------------|--------|-----------------|---------|---------------------------------|
| Product code | Part number | Terminal size | Wire mm ² | Use for | Quantity required | | Use in cavities | | Part number for crimp terminals |
| | | | | | Form A | Form C | Form A | Form C | |
| V23333-Z0002-B049 | 2-1904045-7 | - | - | - | - | - | - | - | - |
| V23333-Z0001-B046 | 1-1904045-6 | 4.8 x 0.8 | 0.5 - 1.5 | Coil | 2 | 2 | 1 and 2 | 1 and 2 | 280919-4 |
| | | 4.8 x 0.8 | 1.0 - 2.5 | Load | - | 1 | - | 4 | 281197-2 |
| | | 6.3 x 0.8 | 1.0 - 2.5 | Load | 2 | 2 | 3 and 5 | 3 and 5 | 160927-4 |
| V23333-Z1001-B045 | 1-1904045-5 | 4.8 x 0.8 | 0.5 - 1.5 | Coil | 2 | 2 | 1 and 2 | 1 and 2 | 280919-4 |
| | | 4.8 x 0.8 | 1.0 - 2.5 | Load | - | 1 | - | 4 | 281197-2 |
| | | 6.3 x 0.8 | 1.0 - 2.5 | Load | 2 | 2 | 3 and 5 | 3 and 5 | 160917-2 |

1) Crimp terminals to be ordered separately.

2) Mentioned crimp terminals are delivered in strip-form, loose pieces and hand tool available on request.